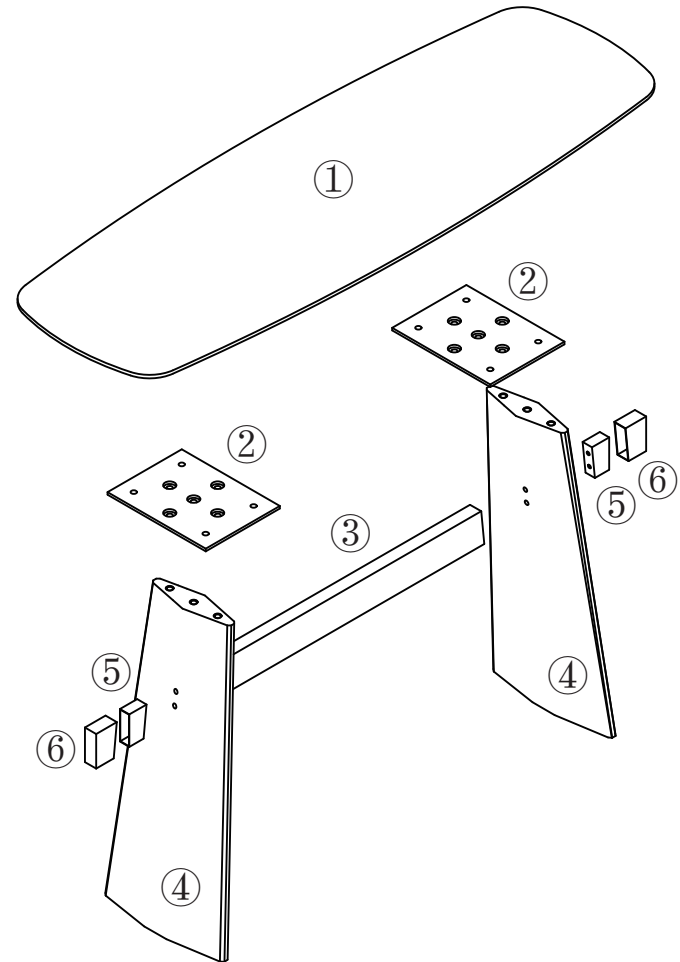
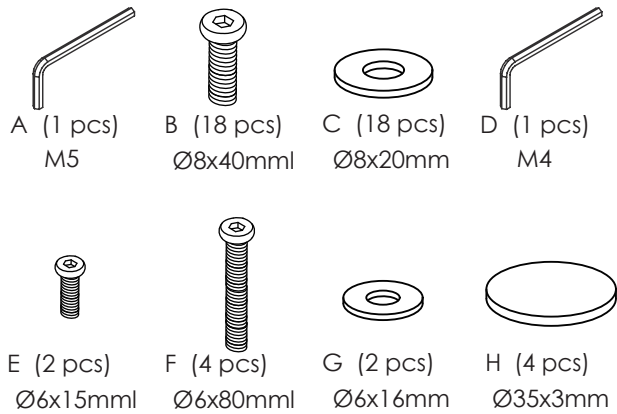
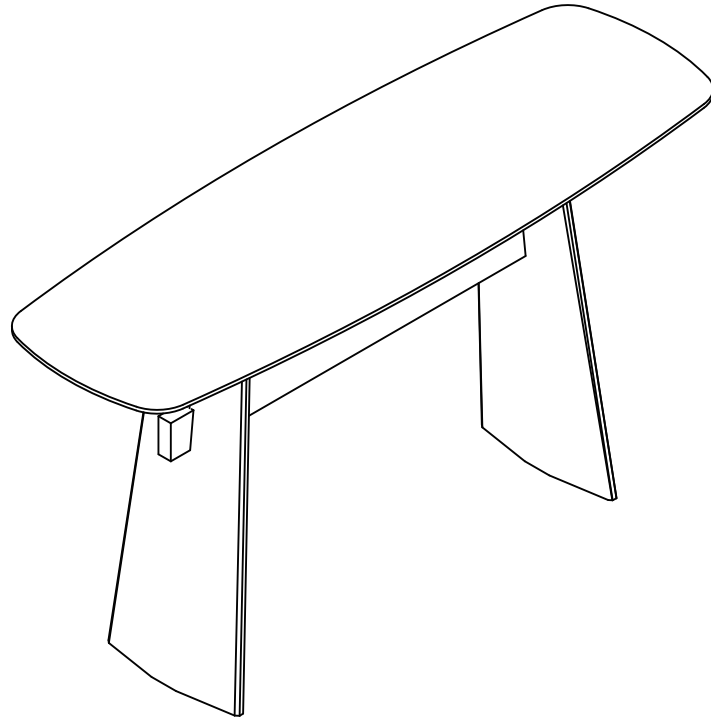


Assembly Instructions

FOLKE-55 Console Table

PLEASE NOTE: Check that you have received all components and hardware before assembling. If you are missing any parts, contact your retailer.

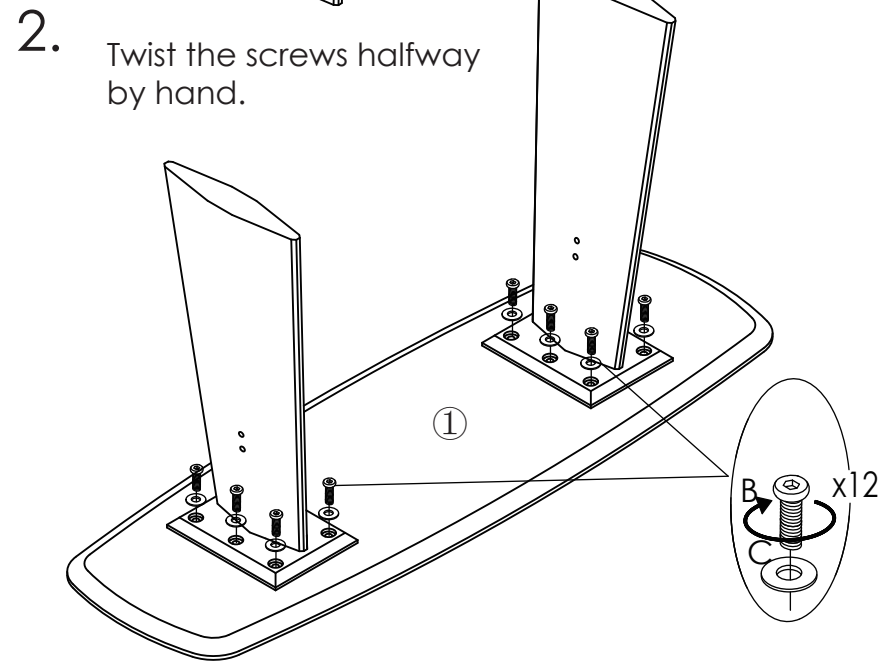
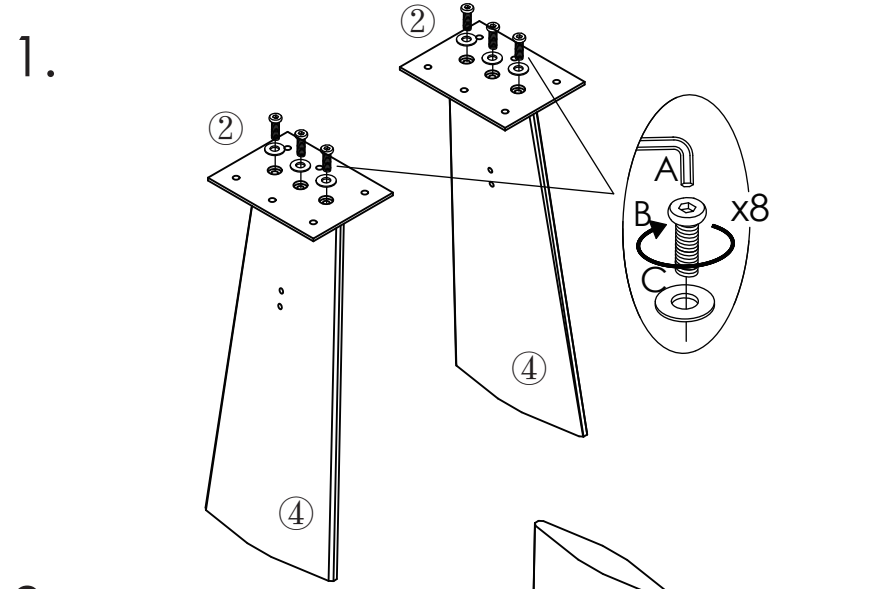
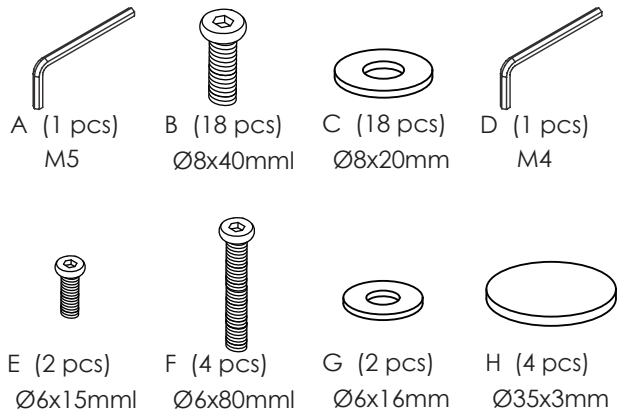
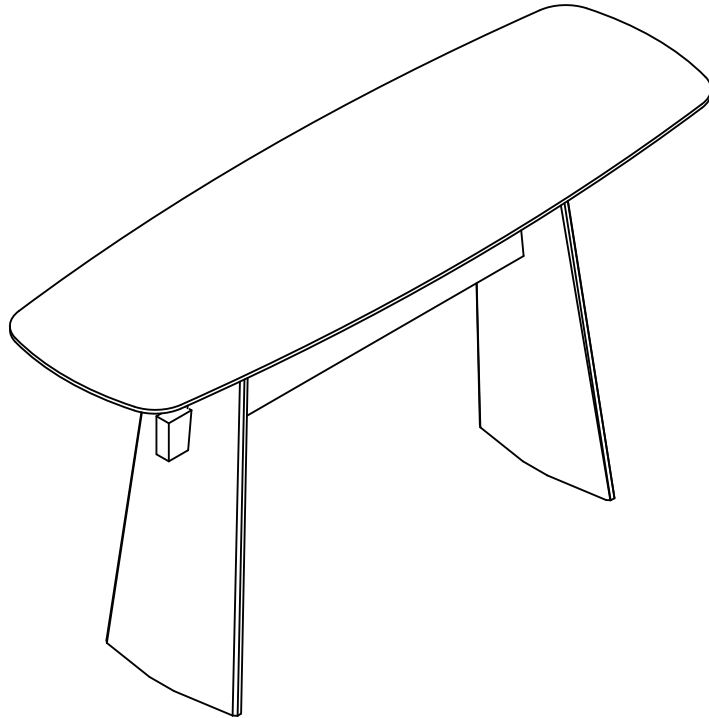


During assembly, hand tighten screws only. When the screws are in place, tighten completely.

Assembly Instructions

FOLKE-55 Console Table

PLEASE NOTE: Check that you have received all components and hardware before assembling. If you are missing any parts, contact your retailer.

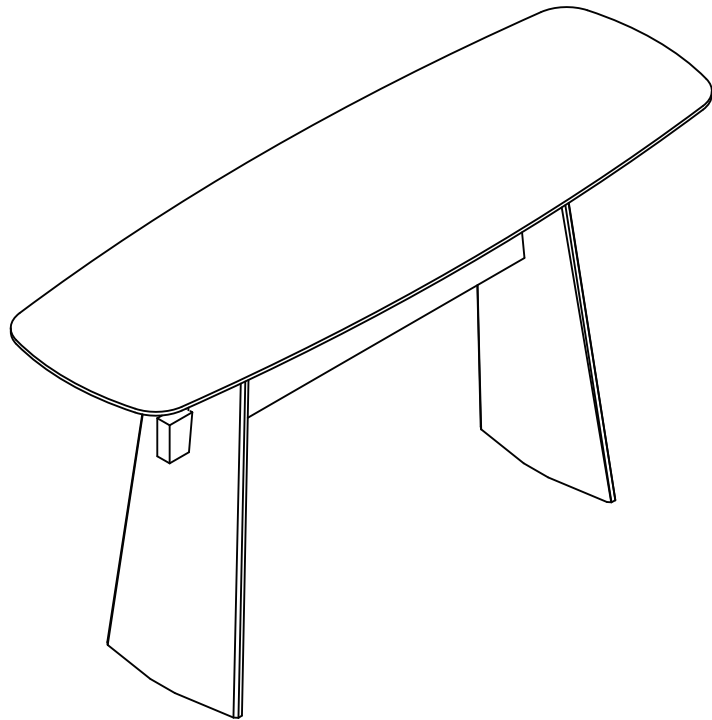


During assembly, hand tighten screws only. When the screws are in place, tighten completely.

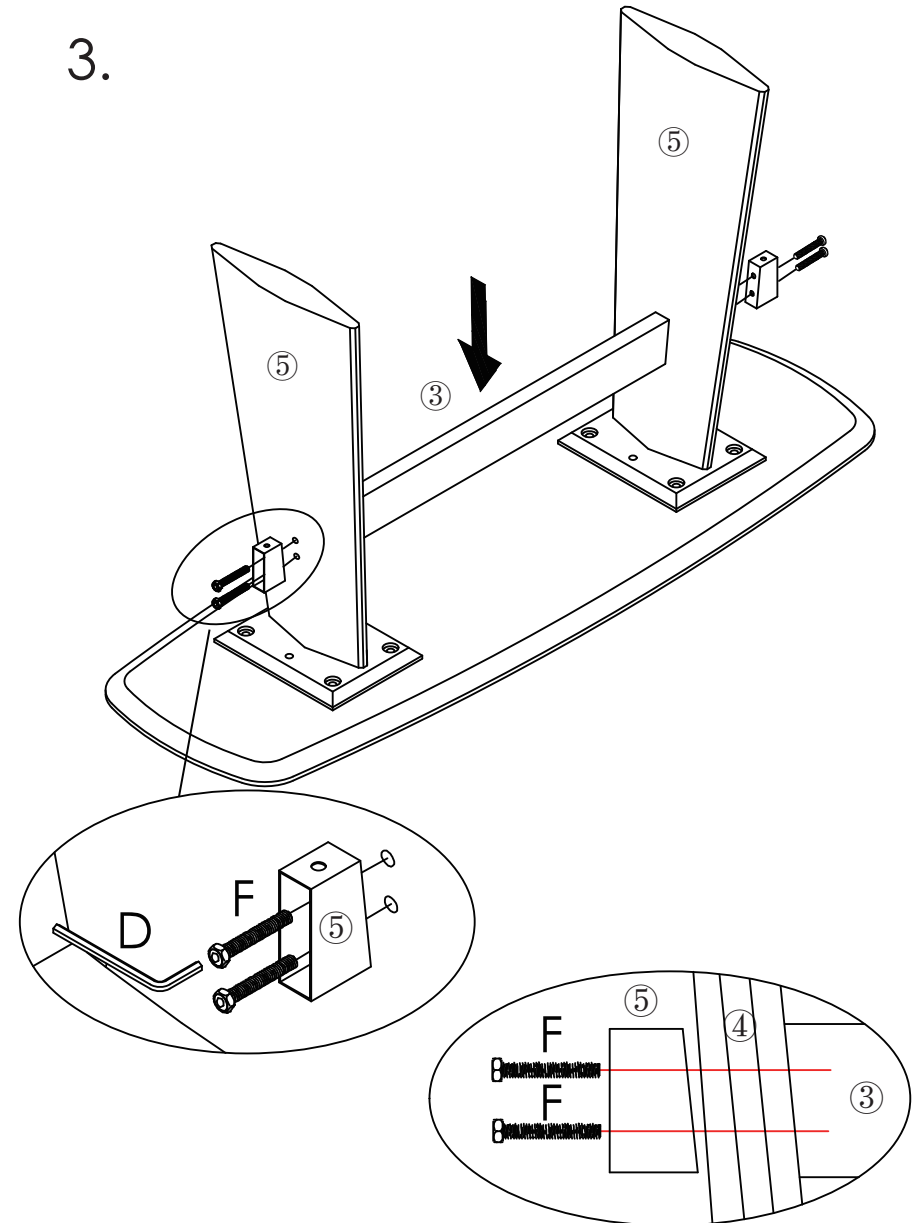
Assembly Instructions


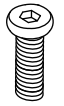



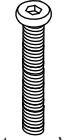


FOLKE-55 Console Table

PLEASE NOTE: Check that you have received all components and hardware before assembling. If you are missing any parts, contact your retailer.



3.



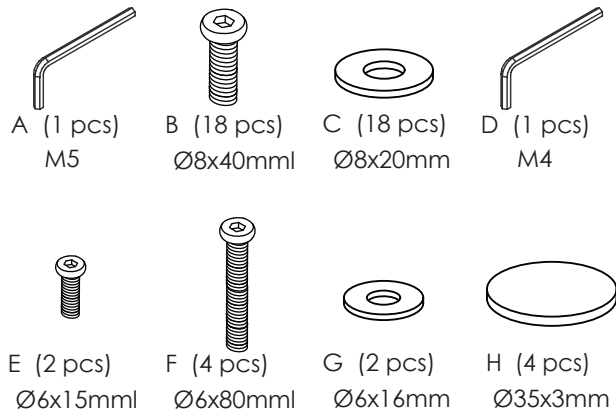
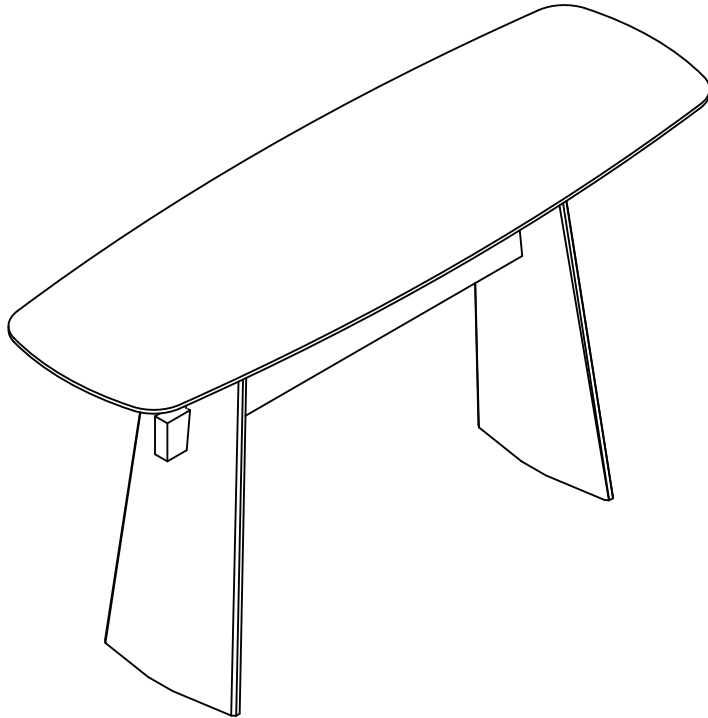
- | | | | |
|-------------------------------------------------------------------------------------|-------------------------------------------------------------------------------------|-------------------------------------------------------------------------------------|-------------------------------------------------------------------------------------|
|  |  |  |  |
| A (1 pcs)
M5 | B (18 pcs)
Ø8x40mm | C (18 pcs)
Ø8x20mm | D (1 pcs)
M4 |
|  |  |  |  |
| E (2 pcs)
Ø6x15mm | F (4 pcs)
Ø6x80mm | G (2 pcs)
Ø6x16mm | H (4 pcs)
Ø35x3mm |

During assembly, hand tighten screws only. When the screws are in place, tighten completely.

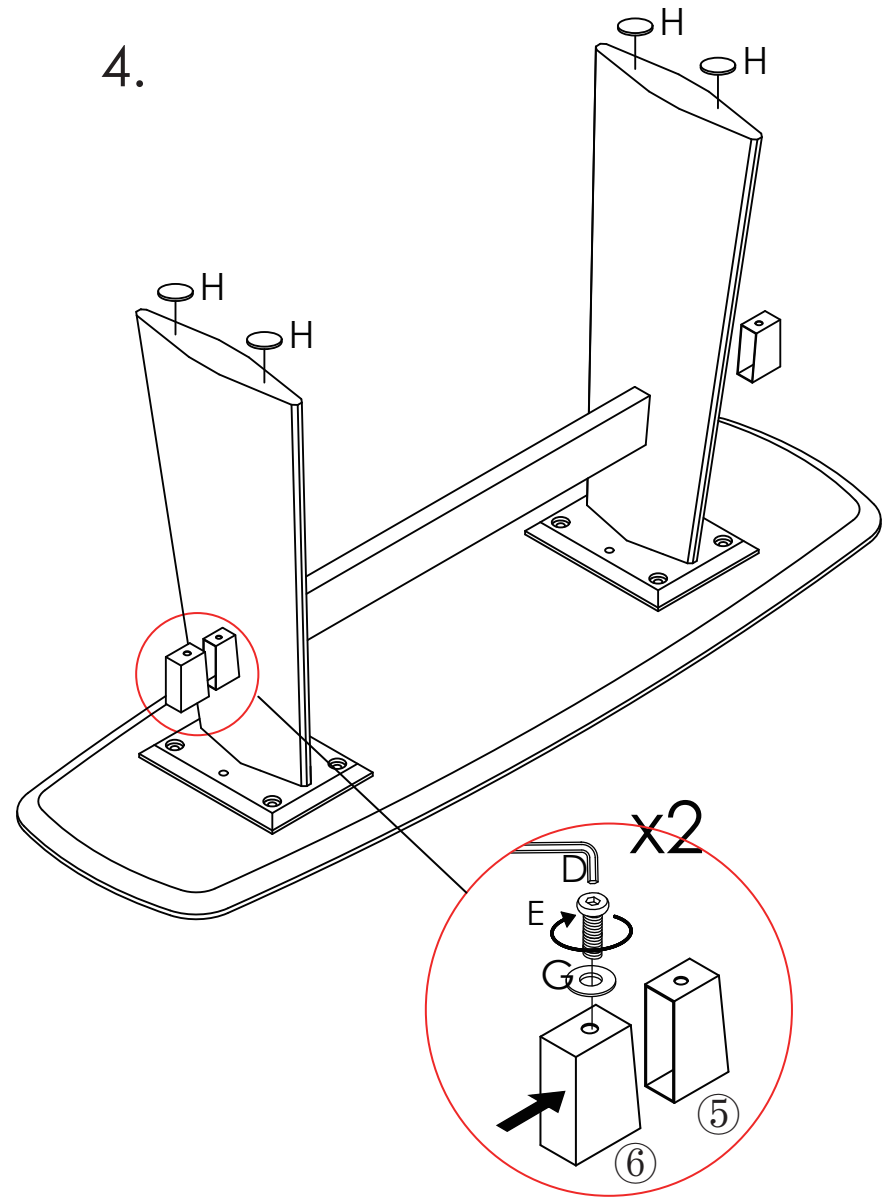
Assembly Instructions

FOLKE-55 Console Table

PLEASE NOTE: Check that you have received all components and hardware before assembling. If you are missing any parts, contact your retailer.



01.08.24 ms

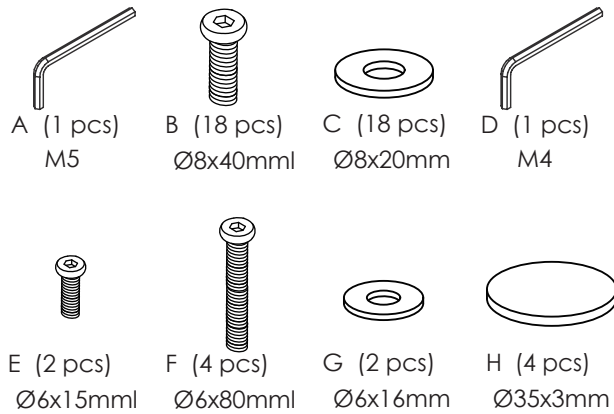
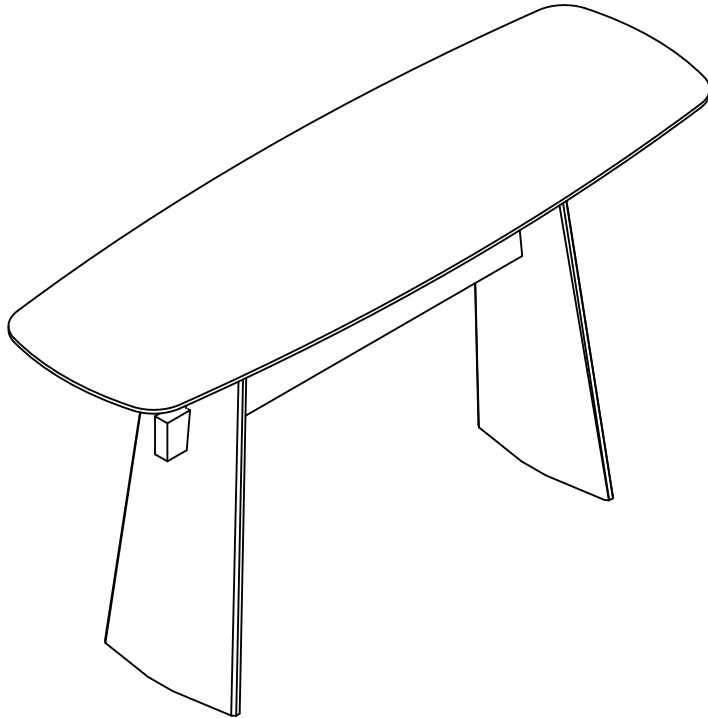


During assembly, hand tighten screws only. When the screws are in place, tighten completely.

Assembly Instructions

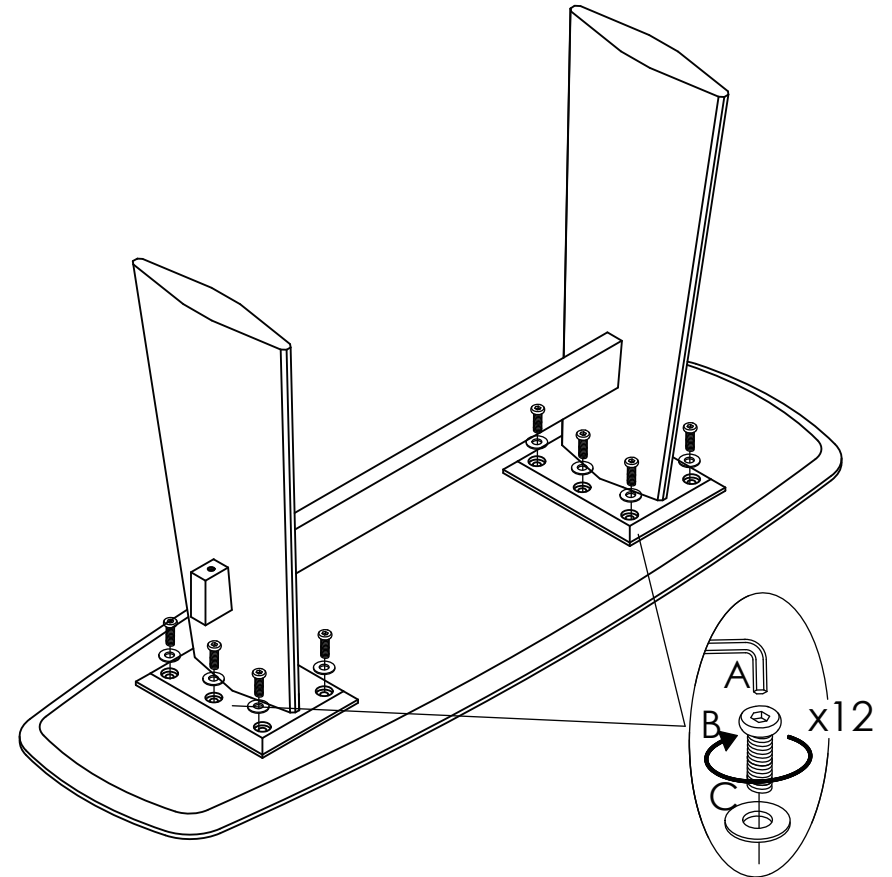
FOLKE-55 Console Table

PLEASE NOTE: Check that you have received all components and hardware before assembling. If you are missing any parts, contact your retailer.



01.08.24 ms

5.



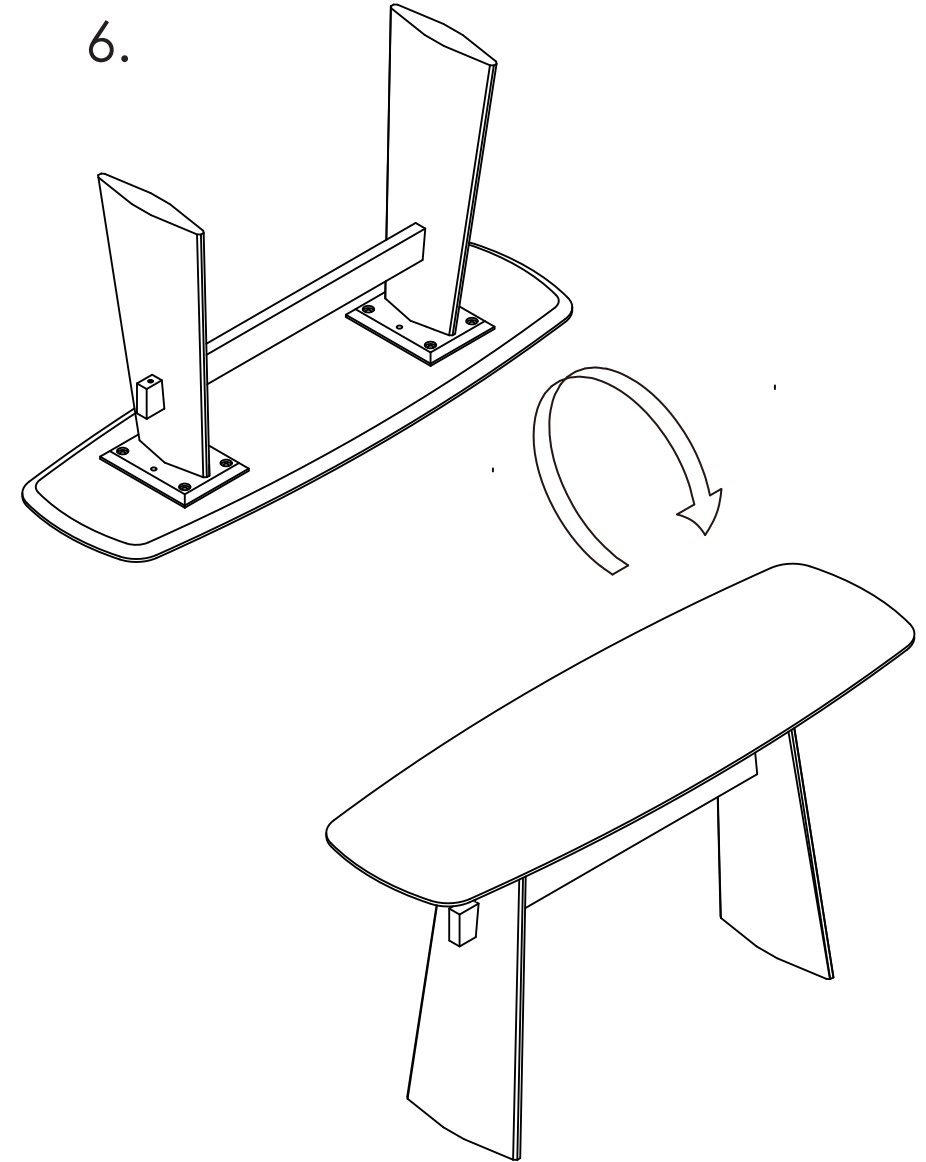
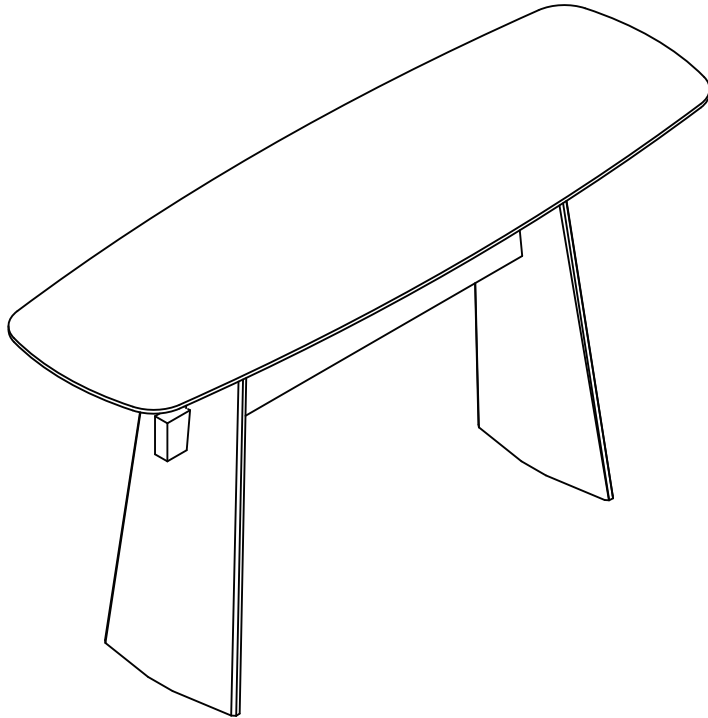
Use the wrench (A) to tighten the screws all the way.


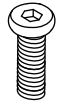

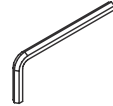

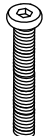


During assembly, hand tighten screws only. When the screws are in place, tighten completely.

Assembly Instructions

FOLKE-55 Console Table

PLEASE NOTE: Check that you have received all components and hardware before assembling. If you are missing any parts, contact your retailer.



- | | | | |
|-------------------------------------------------------------------------------------|-------------------------------------------------------------------------------------|-------------------------------------------------------------------------------------|-------------------------------------------------------------------------------------|
|  |  |  |  |
| A (1 pcs)
M5 | B (18 pcs)
Ø8x40mm | C (18 pcs)
Ø8x20mm | D (1 pcs)
M4 |
|  |  |  |  |
| E (2 pcs)
Ø6x15mm | F (4 pcs)
Ø6x80mm | G (2 pcs)
Ø6x16mm | H (4 pcs)
Ø35x3mm |

01.08.24 ms

During assembly, hand tighten screws only. When the screws are in place, tighten completely.