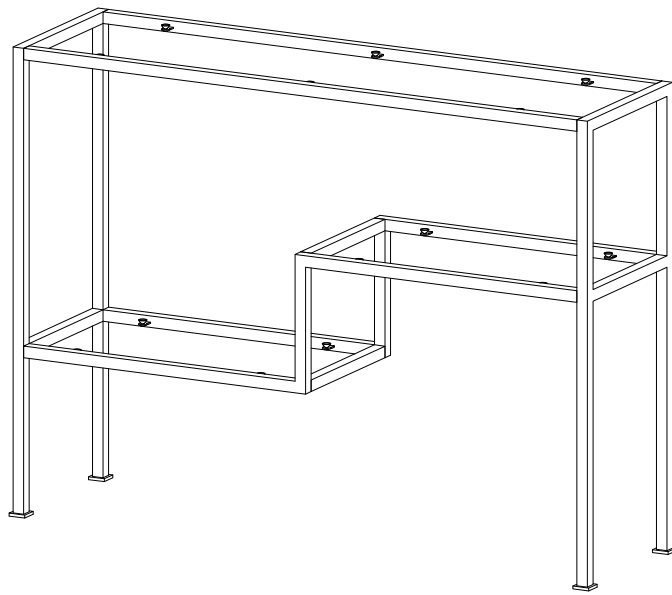


# **CROSLEY**

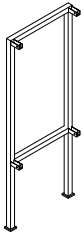
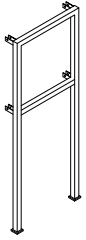
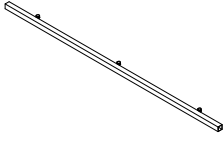
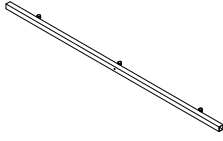
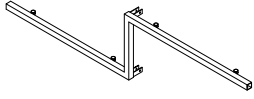
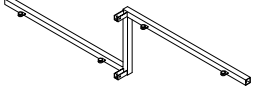
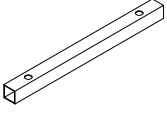
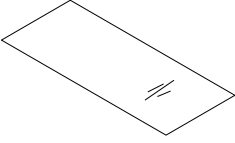
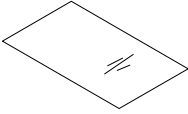
---

FURNITURE

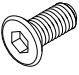


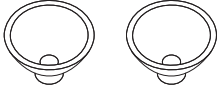
## Console Table CF1124



# PART LIST

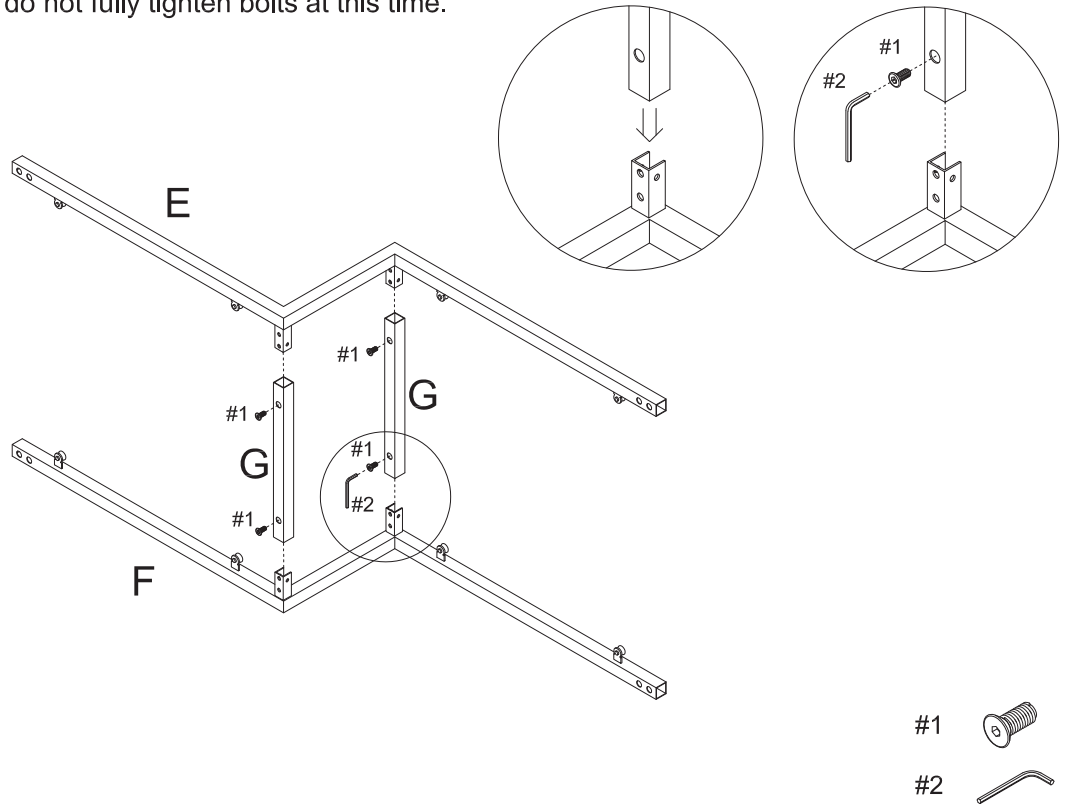
<p><b>A</b></p> 	<p><b>B</b></p> 	<p><b>C</b></p> 	<p><b>D</b></p> 	<p><b>E</b></p> 
<p>Left Frame 1 PC</p>	<p>Right Frame 1 PC</p>	<p>Top Front Bar 1 PC</p>	<p>Top Back Bar 1 PC</p>	<p>Front Shelf Bar 1 PC</p>
<p><b>F</b></p> 	<p><b>G</b></p> 	<p><b>H</b></p> 	<p><b>I</b></p> 	
<p>Back Shelf Bar 1 PC</p>	<p>Cross Bar 2 PCS</p>	<p>Top Glass 1 PC</p>	<p>Shelf Glass 2 PCS</p>	

# HARDWARE LIST

<p><b>#1</b></p> 	<p><b>#2</b></p> 	<p><b>#3</b></p> 	<p><b>#4</b></p> 
<p>1/4" x 1/2"L Bolt 20 PCS (Extra 1)</p>	<p>Allen Wrench 1 PC</p>	<p>Safety Strap Kit 1 SET</p>	<p>Suction Cup Extra 2 PCS</p>

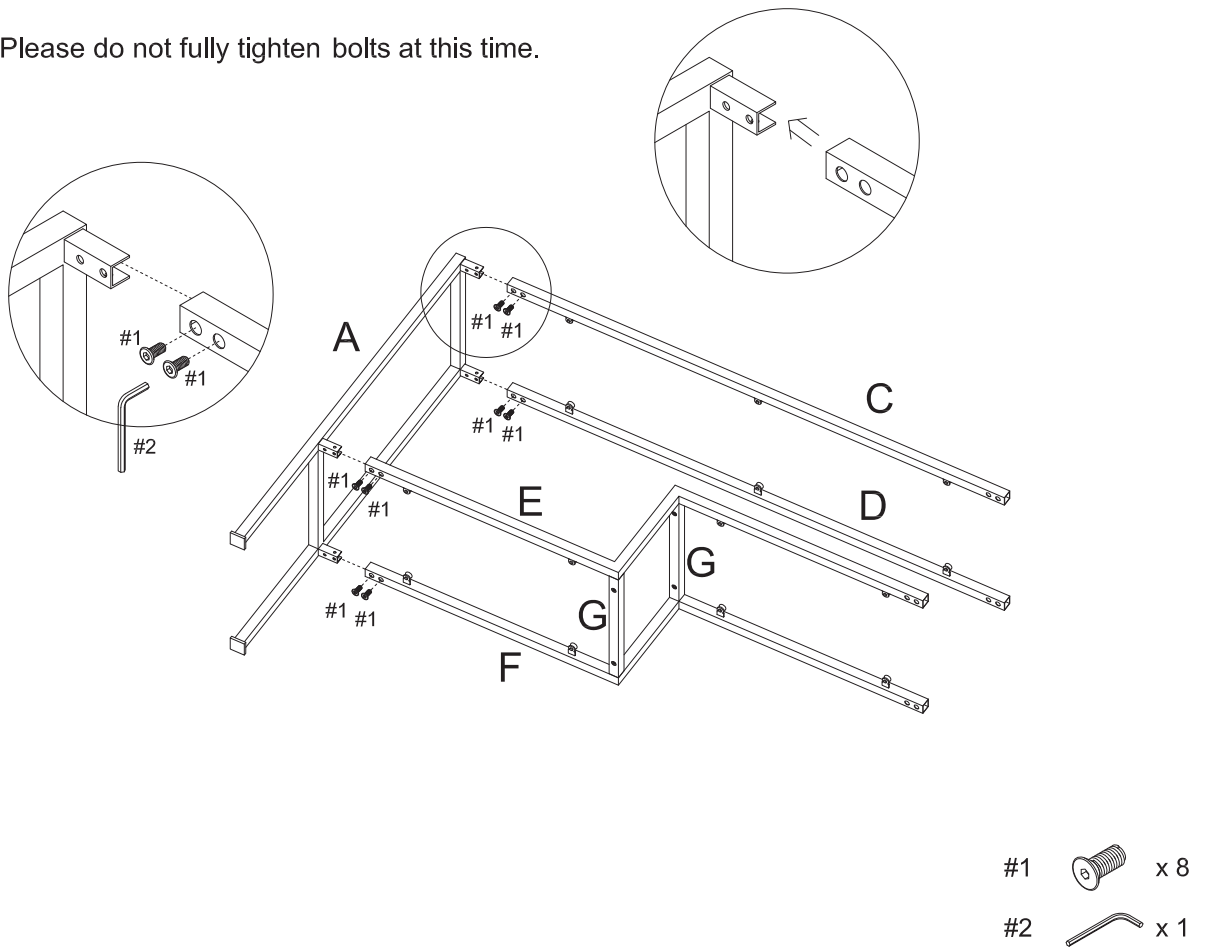
Step 1. Insert cross bars (part G) to front shelf bar (part E) and back shelf bar (part F) using bolts (part #1) and allen wrench (part #2).

Note: Please do not fully tighten bolts at this time.



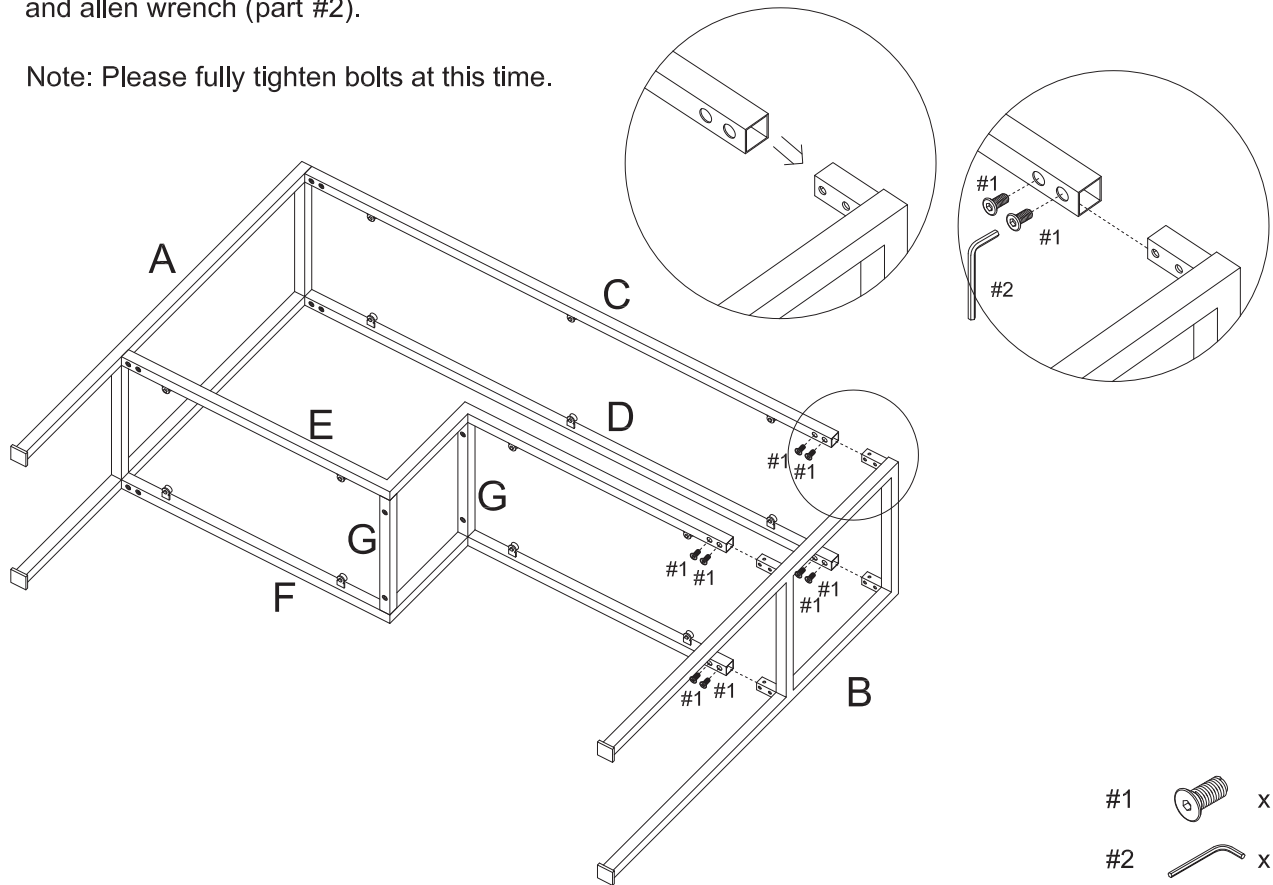
Step 2. Insert top front bar (part C), top back bar (part D) assembled unit (parts E, F & G) to left frame (part A) using bolts (part #1) and allen wrench (part #2).

Note: Please do not fully tighten bolts at this time.



Step 3. Attach right frame (part B) to assembled unit (parts C, D, E & F) using bolts (part #1) and allen wrench (part #2).

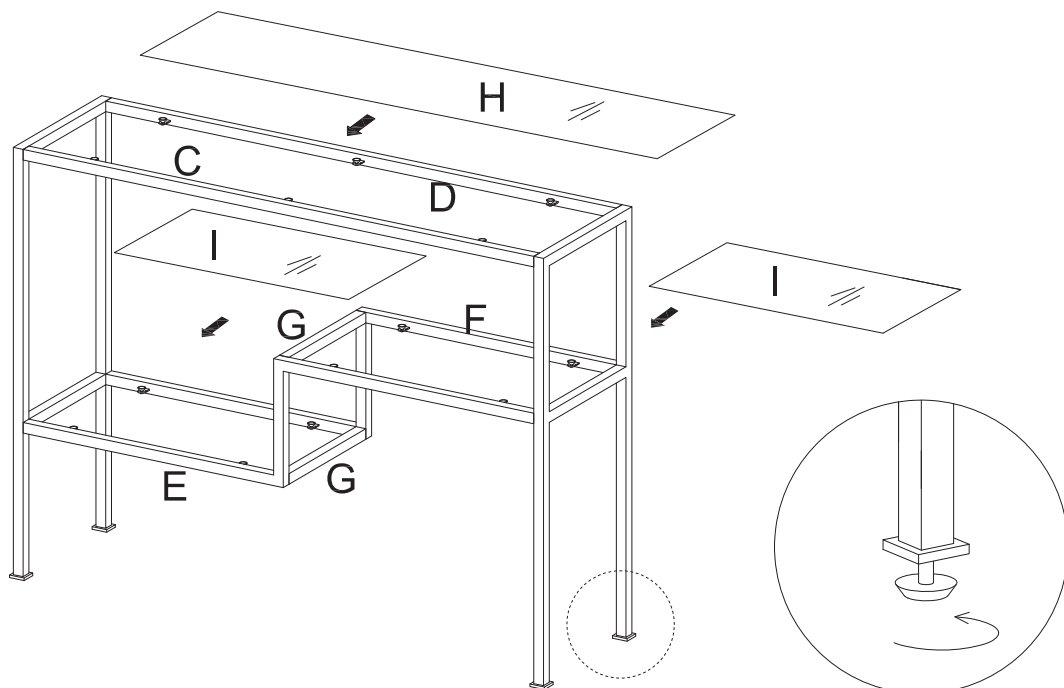
Note: Please fully tighten bolts at this time.


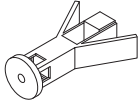






Step 4. Carefully turn unit upright. Insert top glass (part H) to top bars (parts C & D), and shelf glass (part I) to assembled unit (parts E, F & G).

Note: Safety strap kit (part #3) must be installed to prevent tipping, damage and/ or injury.

Note: It is important to adjust levelers once fully assembled and upright. Extend adjustable leveler until it's firmly in contact with the floor. If relocating, adjust leveler as needed until it's firmly in contact with floor in new location.



#3	A	B	C	D	E
					
Safety Strap Kit 1 SET	Wall Anchor 1 PC	Hook 2 PCS	D8 x 1-1/2" Screw 1 PC	D10 x 1/2" Bolt 1 PC	Safety Wall Strap 1 PC

## SAFETY WALL STRAP INSTALLATION

Important: Safety strap kit (part #3) must be installed to prevent tipping, damage and / or injury.

1) Insert bolt (D) through hook (B) and attach to predrilled hole in top back bar (part D) using a philips head screwdriver.

2) Drill 11/32" hole in the wall where this unit will be secured. The drilled hole will be at the same height as the hole in top back bar (part D) where hook (B) was attached. Tap wall anchor (A) into the drilled hole.

3) Insert screw (C) through hook (B) into the wall anchor (A) using a philips head screwdriver.

4) Insert safety wall strap (E) through both hooks (B) and tighten to secure.

Note: This item is not intended for clothing storage use.

