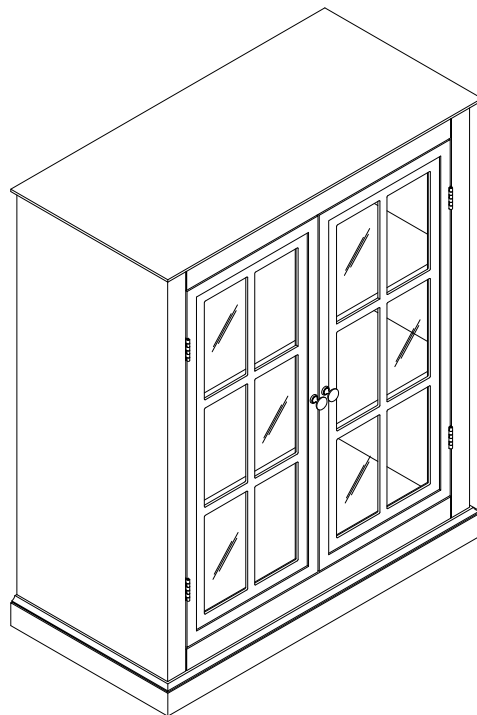


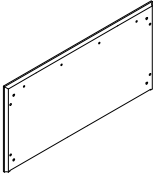
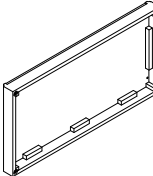
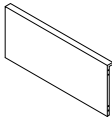
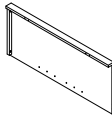
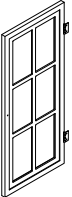
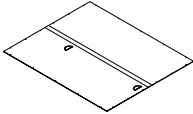
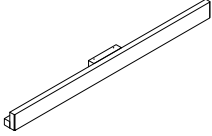
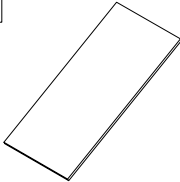
CROSLEY

FURNITURE

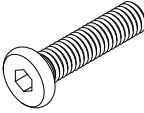
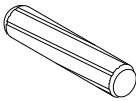
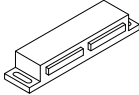


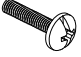
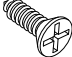

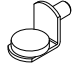
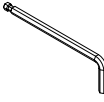
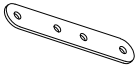

Stackable Pantry CF3125



PART LIST

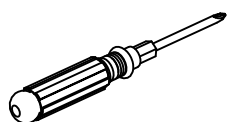
<p>A</p> 	<p>B</p> 	<p>C</p> 	<p>D</p> 	<p>E</p> 
<p>Top Panel 1 PC</p>	<p>Bottom Panel 1 PC</p>	<p>Left Panel 1 PC</p>	<p>Right Panel 1 PC</p>	<p>Door 2 PCS</p>
<p>F</p> 	<p>G</p> 	<p>H</p> 		
<p>Back Panel 1 PC</p>	<p>Front Rail 2 PCS</p>	<p>Adjustable Shelf 2 PCS</p>		

HARDWARE LIST

<p>#1</p>  <p>Ø1/4"*1"</p>	<p>#2</p>  <p>Ø8*30mm</p>	<p>#3</p> 	<p>#4</p>  <p>Ø3*16mm</p>	<p>#5</p> 
<p>Bolt 16 PCS (Extra 1)</p>	<p>Wood Dowel 8 PCS (Extra 1)</p>	<p>Magnet 2 PCS</p>	<p>Long Screw 12 PCS (Extra 1)</p>	<p>Knob 2 PCS</p>
<p>#6</p>  <p>Ø5/32"*7/8"</p>	<p>#7</p>  <p>Ø3*14mm</p>	<p>#8</p>  <p>Ø3*10mm</p>	<p>#9</p> 	<p>#10</p> 
<p>Round Head Bolt 2 PCS (Extra 1)</p>	<p>Short Screw 8 PCS (Extra 1)</p>	<p>Round Head Screw 22 PCS (Extra 1)</p>	<p>Shelf Holder 8 PCS (Extra 1)</p>	<p>Allen Wrench 1 PC</p>
<p>#11</p> 	<p>#12</p> 			
<p>Connecting Bar 2 PCS</p>	<p>Safety Strap Kit 1 SET</p>			

ADDITIONAL TOOLS (Not Provided)

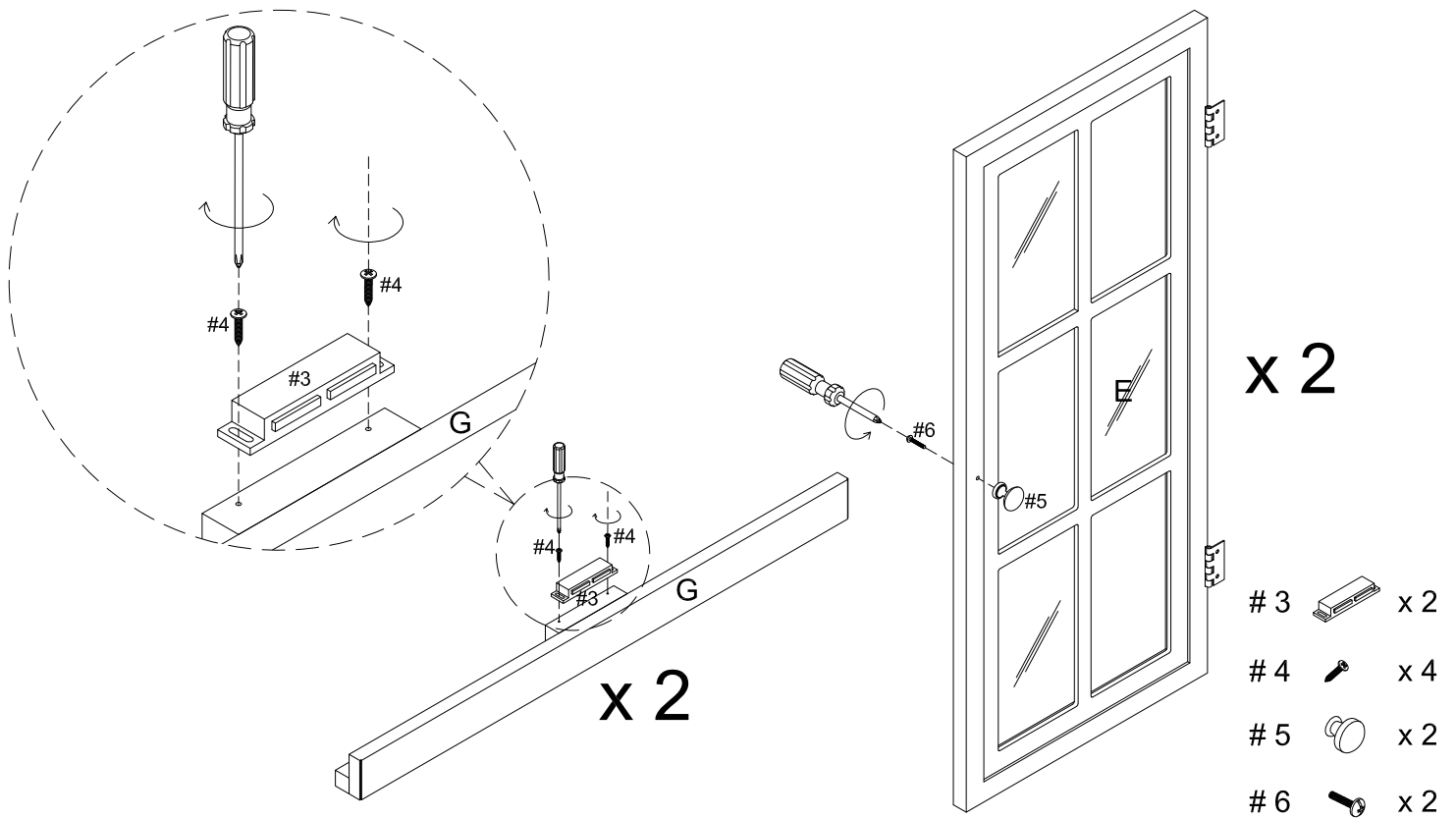
Note: It is not recommended to use power tools during assembly.



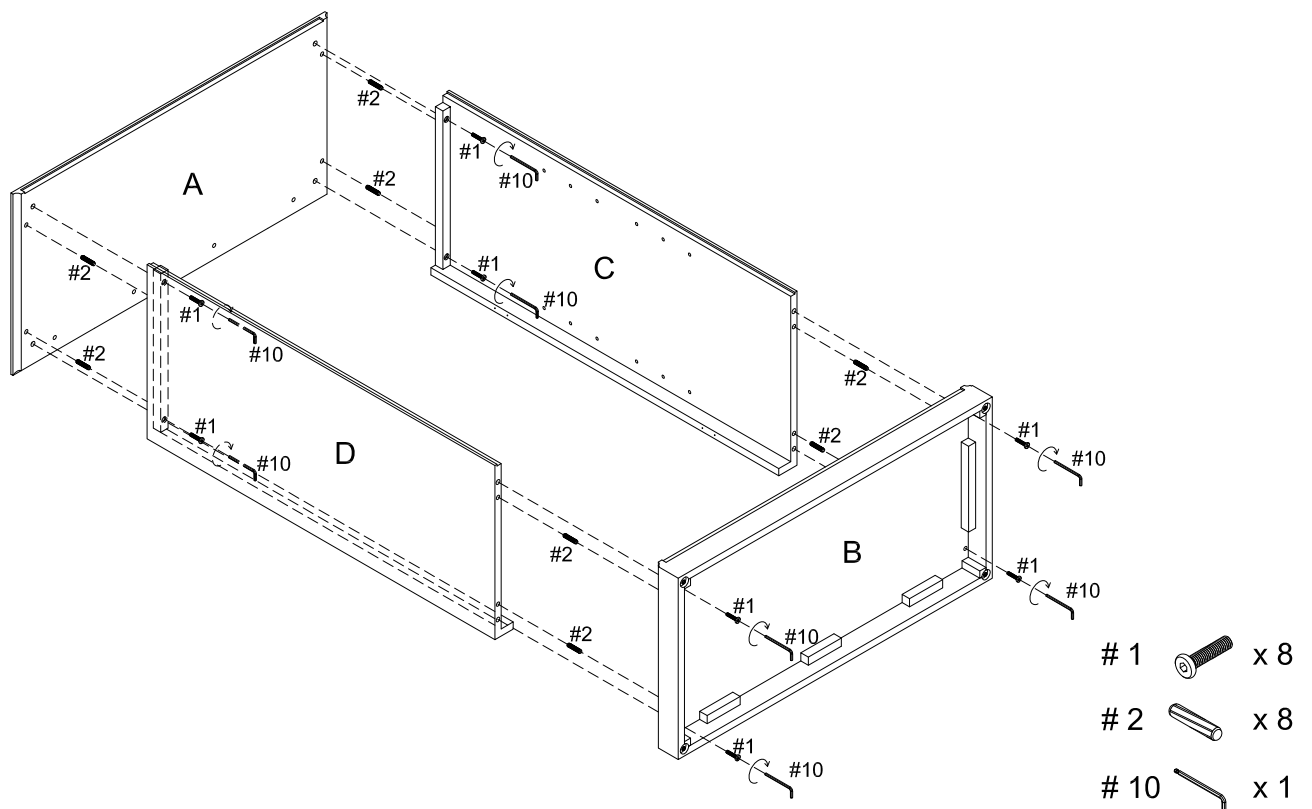
Phillips Head Screwdriver

Note: Wood dowels are intended for alignment. Additional clearance between wood dowel and pre-drilled hole is intentional for ease of assembly.

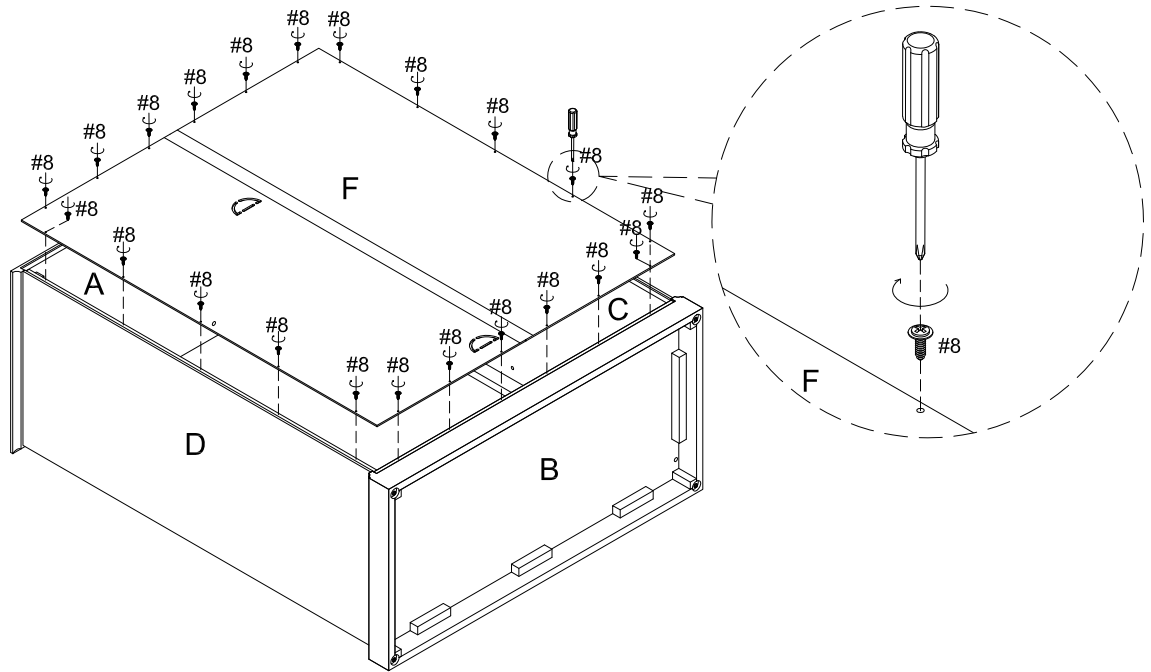
Step 1. Attach magnets (part #3) to front rails (part G) using long screws (part #4) and phillips head screwdriver. Attach knobs (part #5) to doors (part E) using round head bolts (part #6) and phillips head screwdriver.



Step 2. Attach panels (parts C & D) to top panel (part A) using bolts (part #1), wood dowels (part #2) and allen wrench (part #10). Attach bottom panel (part B) to assembled unit (parts C & D) using bolts (part #1), wood dowels (part #2) and allen wrench (part #10).

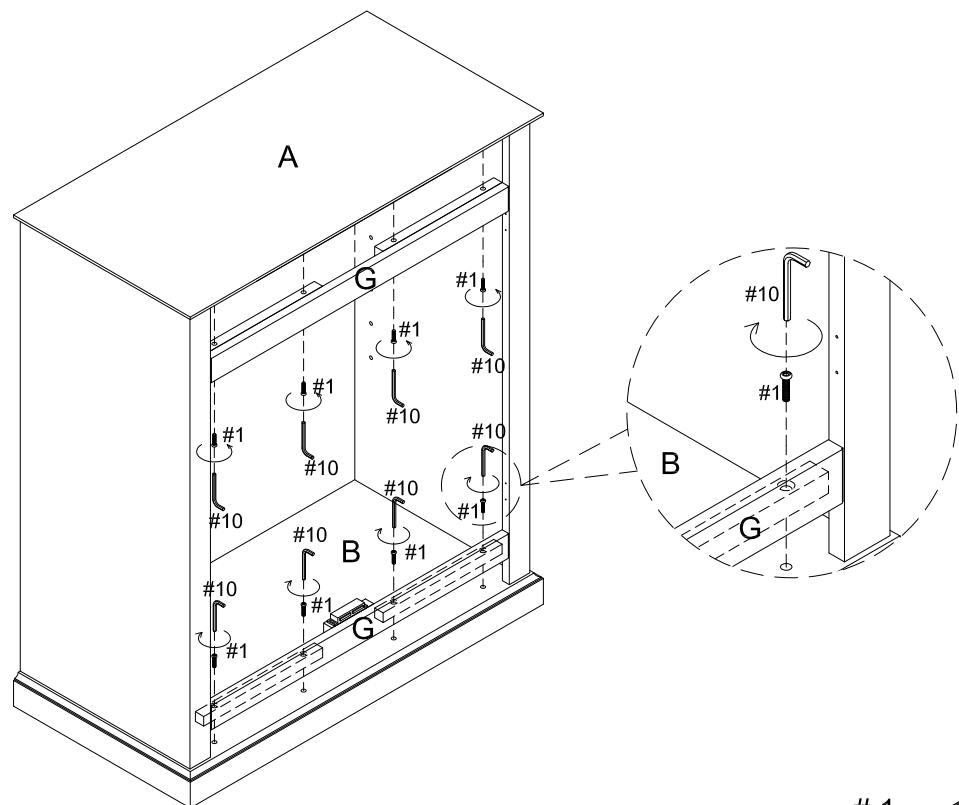


Step 3. Attach back panel (part F) to assembled unit (parts A, B, C & D) using round head screws (part #8) and phillips head screwdriver.



8  x 22

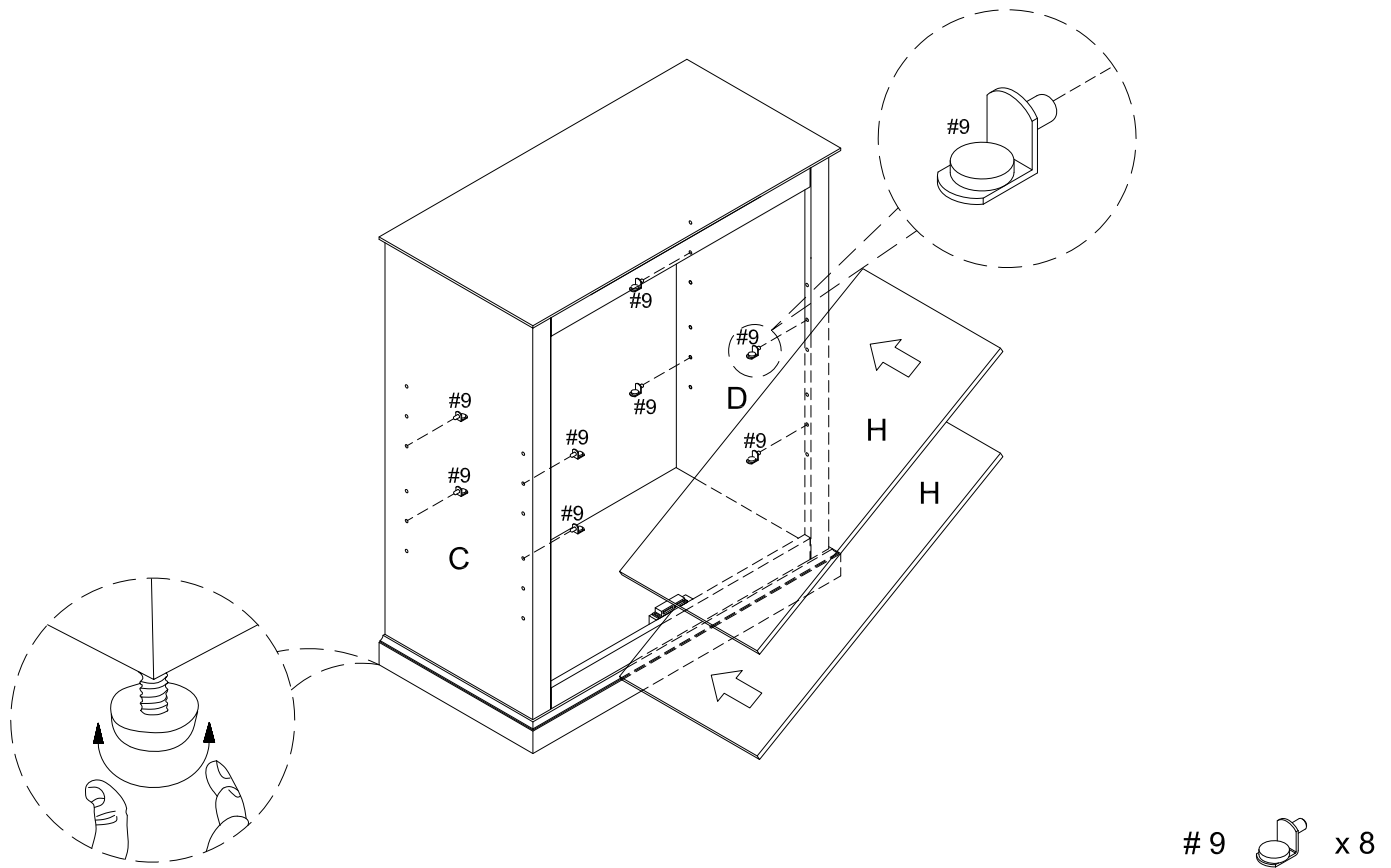
Step 4. Carefully turn unit upright. Attach front rails (part G) to top panel (part A) and bottom panel (part B) using bolts (part #1) and allen wrench (part #10).



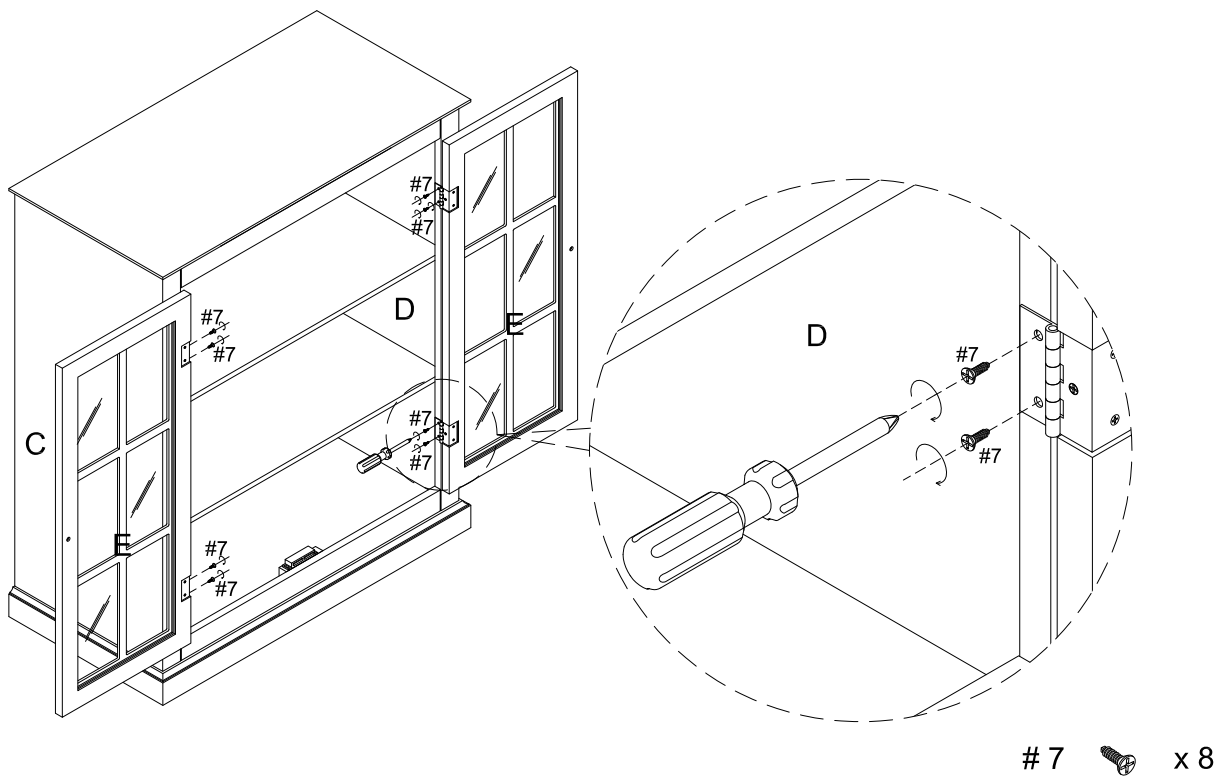
1  x 8

10  x 1

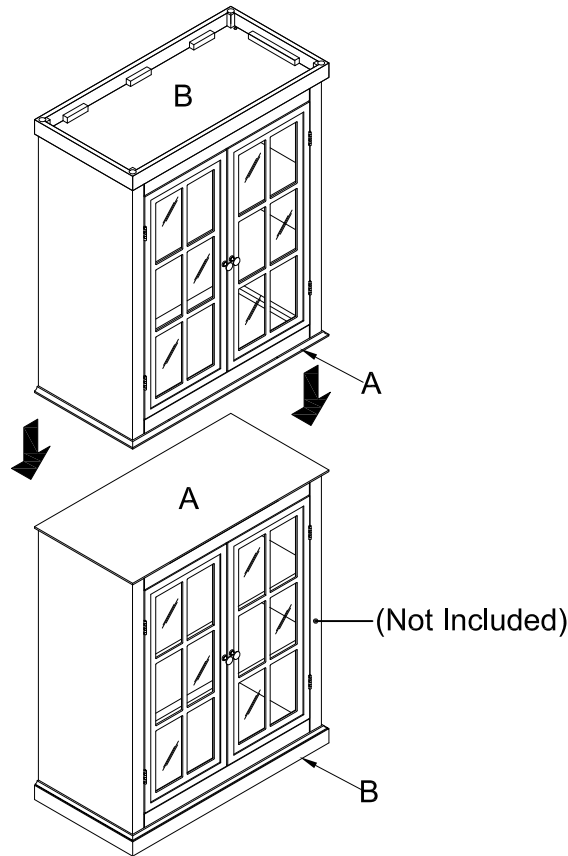
Step 5. Place shelf holders (part #9) into desired position and slide adjustable shelves (part H) into place.



Step 6. Attach doors (part E) to assembled unit (parts C & D) using short screws (part #7) and phillips head screwdriver.



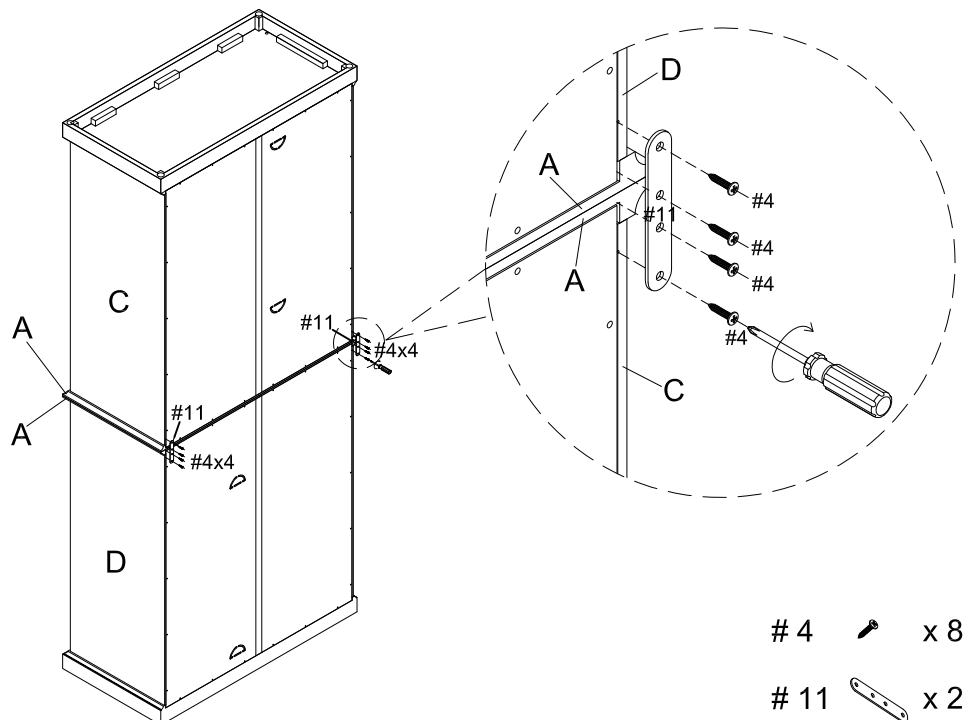
Step 7. Flip and place pantries together by lining up top panels (part A).



Step 8. Attach connecting bars (part #11) to panels (parts A, C & D) using long screws (part #4) and phillips head screwdriver.





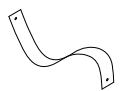

Note: It is important to adjust levelers once fully assembled and upright. Extend adjustable leveler until it's firmly in contact with the floor. If relocating, adjust leveler as needed until it's firmly in contact with the floor in new location.

Important: Safety strap kit (part #12) must be installed to prevent tipping, damage and/or injury.



4  x 8

11  x 2

#12	A	B	C	D	E
	 1-1/2"xØ4xD8	 Wall Anchor 1 PC	 5/8"xØ3xD8	 Safety Wall Strap 1 PC	 Flat Washer 1 PC
Safety Strap Kit 1 SET	Long Screw 1 PC	Wall Anchor 1 PC	Short Screw 1 PC	Safety Wall Strap 1 PC	Flat Washer 1 PC

SAFETY WALL STRAP INSTALLATION

Note: It is highly recommended to install this safety strap kit to prevent tipping, damage and/or injury

1. Insert short screw (C) through flat washer (E) and safety wall strap (D) and attach to bottom panel (part B) using phillips head screwdriver.
2. Drill a 1 1/32" hole where you want to secure the unit. The drilled hole will be at the same height as the hole in bottom panel (part B) where safety wall strap (D) is attached, Tap wall anchor (B) into the hole.
3. Insert long screw (A) through safety wall strap (D) into wall anchor (B) using phillips head screwdriver.

Note: This item is not intended for clothing storage use.

