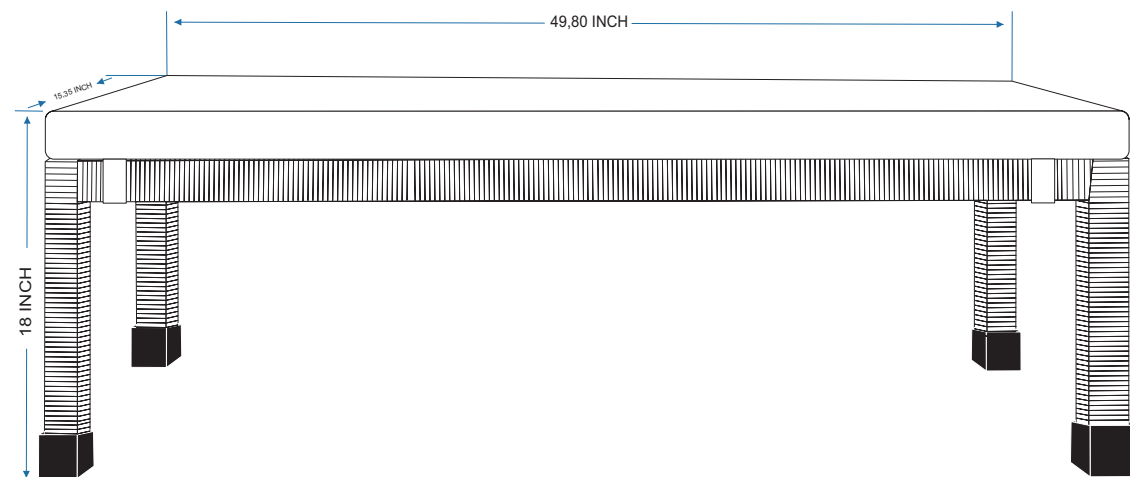



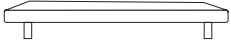


AMARA RATTAN BENCH


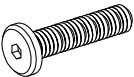

# AMARA RATTAN BENCH ASSEMBLY INSTRUCTION



## PARTS LIST

LABEL	PICTURE	DESCRIPTION	QTY
A		SEAT	1 PCS
B		RIGHT LEG	1 PCS
C		LEFT LEG	1 PCS
D		CUSHION	1 PCS

## HARDWARE

LABEL	PICTURE	DESCRIPTION	QTY
E		WASHER	6 PCS
F		SCREW M6 X 60	6 PCS
H		WRENCH M4x60	1 PCS

### BEFORE BEGINNING ASSEMBLY:



*Read instructions cover to cover*



*Have two adults on hand for assembly*



*Do NOT assemble on flooring or carpet. Assemble on a clean non-marring surface (ex: packing foam)*

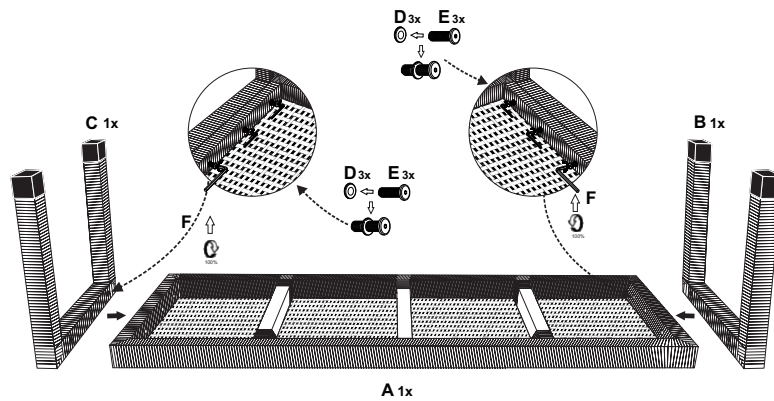


*Save all packaging until assembly is completed*

# ASSEMBLY STEPS

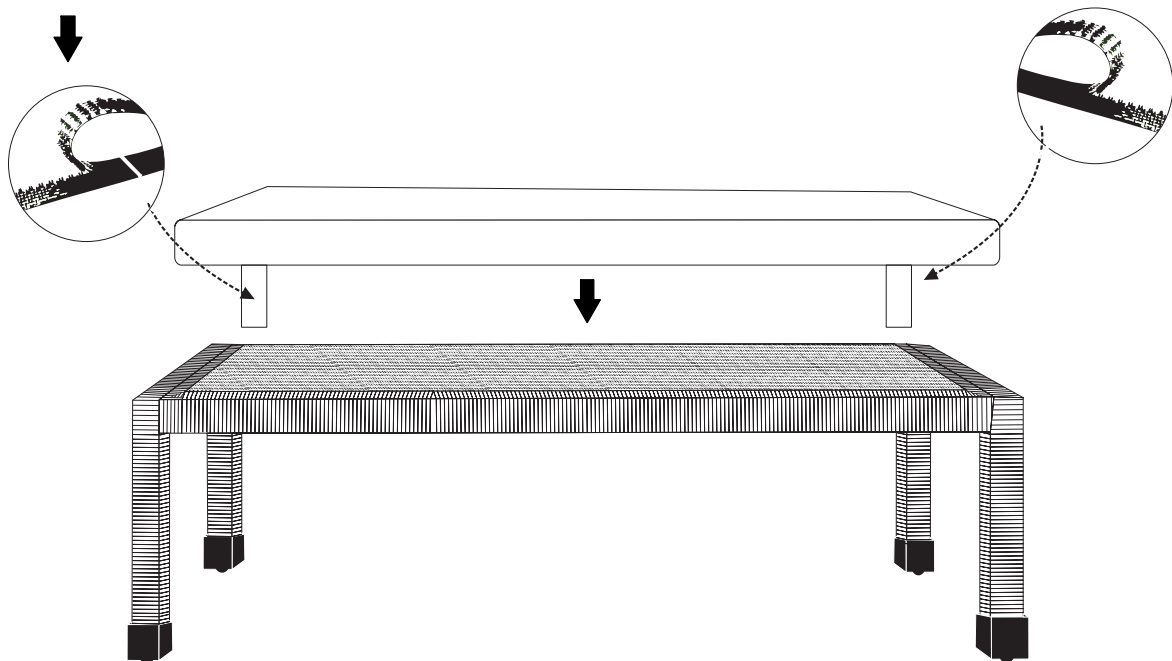
## STEP 1

1.) Attach right leg ( B ) and left leg ( C ) to the seat ( A ) secure with hardware ( E ) and ( F ) by wrench ( H ) as shown.



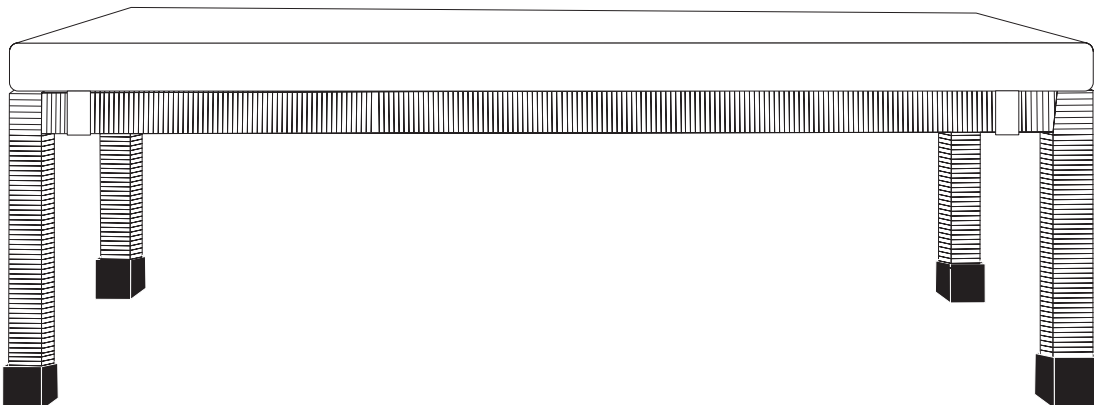
## STEP 2

2.) Attach the cushion to the bench with the included velcro as shown.



————— **Finished assembly.** —————

**COMPLETE**



## CARE & MAINTENANCE



Do not put hot items directly on furniture surface.



Do not clean furniture with harsh cleansers or polish



Dust and wipe up spills using a clean, non-colored, lint-free cloth.



Stains may be removed with a mild soap solution and a damp cloth.



Do not place furniture under direct sunlight.



Do not place furniture near heating or cooling vents.



Do not write on furniture without a padded barrier to protect the surface.



Do not place furniture outside, for indoor use only.

**"Need a part? Call TOV at 516-888-3355 or  
email [service@tovfurniture.com](mailto:service@tovfurniture.com)"**